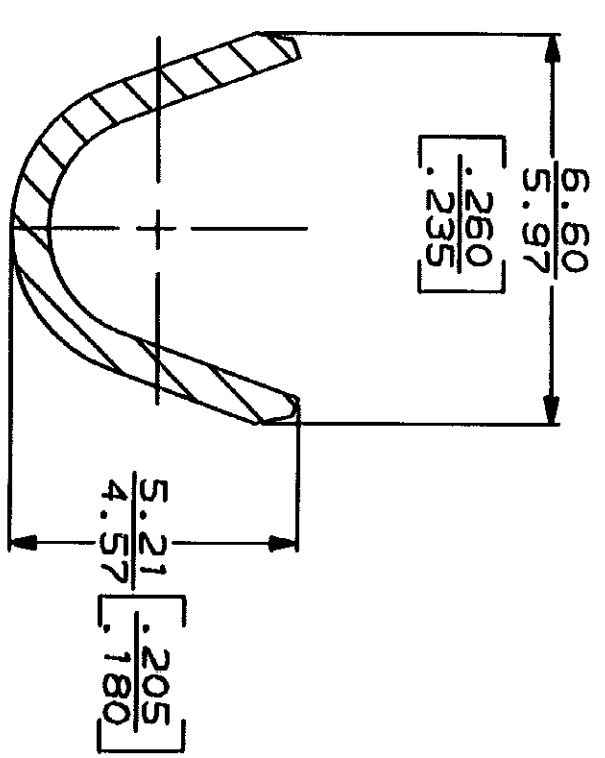
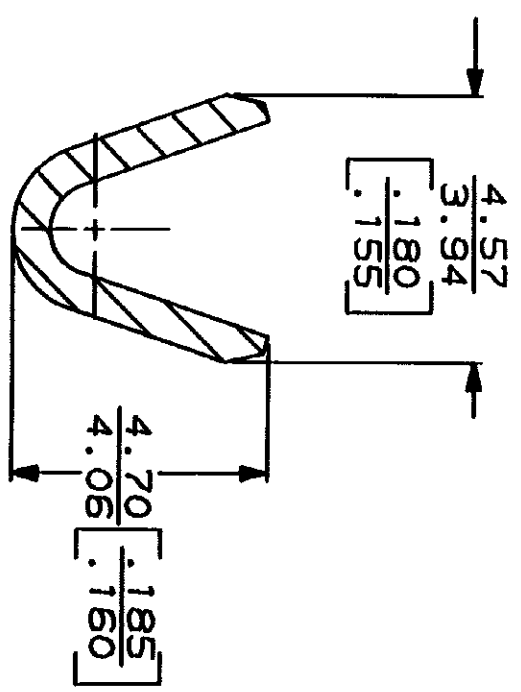
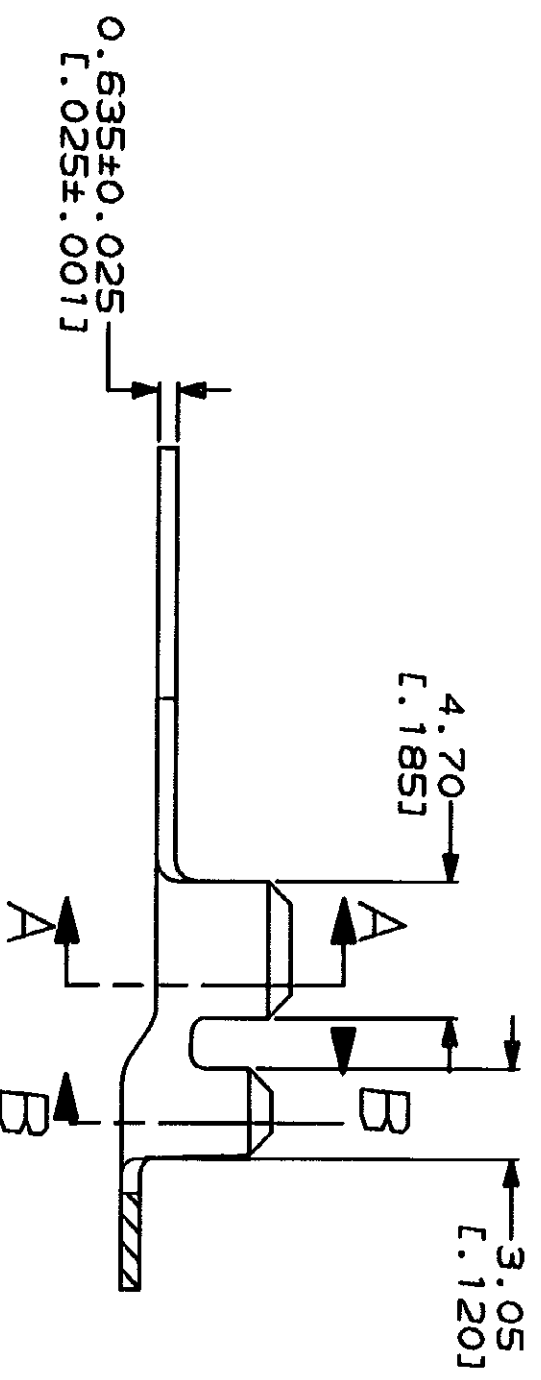
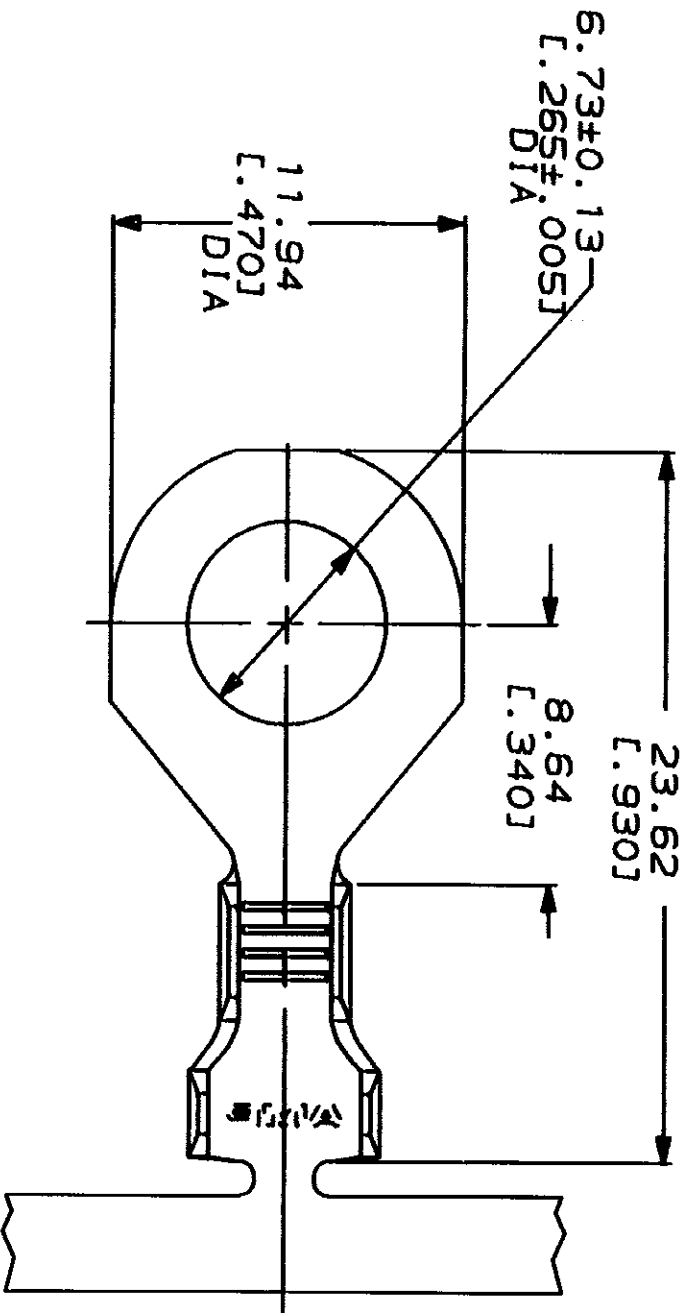


LOC	DIST	P	F	ZONE	LTR	REVISIONS	DESCRIPTION	DATE	APPO
AF	50				C		REDRAWN PER 0054-94	2/17/94	PF/GY

REVISIONS	DESCRIPTION	DATE	APPO
1	CONTINUOUS STRIP ON REEL.		
2	INSULATION RANGE: 2.16-3.05 [0.085-.120] F CRIMP 3.05-3.56 [0.120-.140] O CRIMP.		



SECTION A-A
SCALE 8:1

SECTION B-B
SCALE 8:1

DO NOT SCALE PRINT. DIMENSIONS IN MM (INCHES) TOLERANCES ON: 2 PLC DEC # 0.25 (.010) ANGLES # - MATERIAL 082 BRASS	INSULATION RANGE	WIRE RANGE	PART NO
DR 2/17/94 PHILIP H FORNEY	[18-14] AWG	[18-14] AWG	485029-1
CHK 2/17/94 JEFF BUSH			
APPO 2/17/94 GARY VETTER			
APPO 2/17/94 RON ELDO			
PRODUCT SPEC			
FINISH 0.002032 [0.00080] MIN TIN PL PER MIL-T-10727			
APPLICAITON SPEC			
WEIGHT -			
AMP 1470-15 REV 3-92			

AMP
AMP Incorporated
Harrisburg, PA 17105-3608

RING

SIZE CASE CODE DRAWING NO
B 00779 C=485029
SCALE 4:1 SHEET 1 OF 1